

# Model SH202

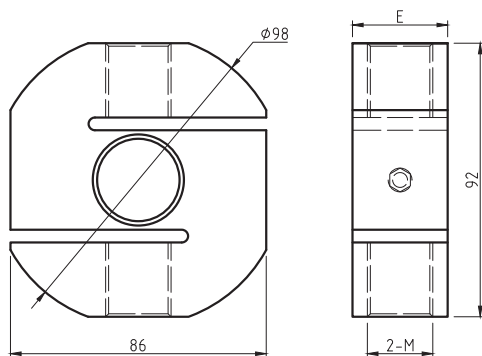


- Capacity: 0.5 t...5 t
- Material: alloy steel
- Protection class: IP67
- Application: Hanging scales, vibratory feeding equipment and other electronic weighing devices.

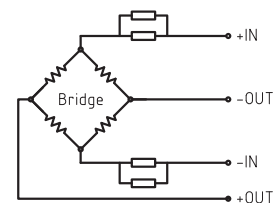
## Performance Specifications

Parameter	Value	Units
Capacity	0.5, 1, 2, 3, 4, 5	t
Rated Sensitivity	2.0±0.008	mV/V
Accuracy Class	C2	
Combined Error	±0.03	%FS
Temp. Coeff - Zero	±0.029	%FS/10°C
Temp. Coeff - Span	±0.017	%FS/10°C
Creep(30min.)	±0.024	%FS
Zero Balance	1.0	%FS
Input Resistance	350±5	Ω
Output Resistance	350±3	Ω
Insulation Resistance	≥5000	MΩ@50Vdc
Operating Temperature Range	-20 to +55	°C
Compensated Temperature Range	-10 to +40	°C
Excitation Voltage	9 to 12	Vdc
Safe Overload	120	%FS
Ultimate Overload	150	%FS
Body Material	alloy steel	mm
Environment Protection	IP67	
Cable Specification	Ø5mm cable, L=3m	

## Dimensions (in mm)



## Electrical Connection



## Ordering Information

Model	Capacity	Sensitivity	Combined Error	Electrical interface	Customized Spec's
SH202	1t	2.0mV/V	0.03%FS	Ø5mm cable, L=3m	